

## HDS-EX3023IP-IC



### Key Features

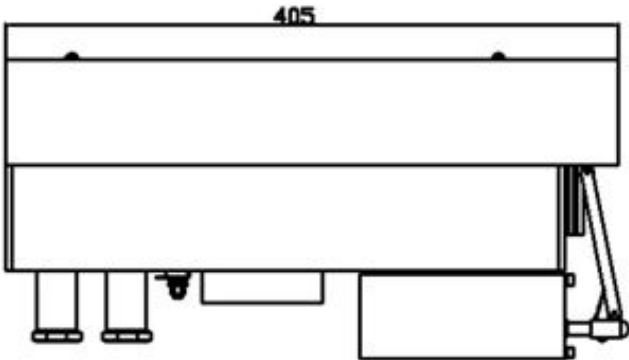
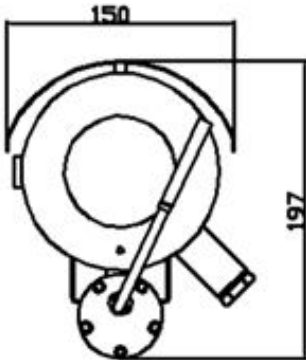
- Explosion-proof IP camera. Up to 2 megapixel (1920 × 1080) @ 30 fps resolution
- Standard video compression with high compression ratio
- Some specialized encoding functions are supported such as ROI (Region of Interest), SVC (Scalable Video Coding), etc.
- Progressive scan CMOS
- Support three streams, main stream and third stream can be up to 2MP, sub-stream for mobile surveillance
- Built-in Micro SD / SDHC / SDXC card slot, up to 64GB
- Support 3D DNR
- Support WDR
- Support ABF (auto back focus)
- Support Defocus Detection and alarm linkage
- Support smart face detection. People face can be detected and image encoding on face area can be automatically enhanced.
- Support Environmental Noise Filtering
- Support Audio Exception Detection, alarm will be triggered the sound intensity is over the previous threshold.
- Support Smart Video Analysis functions such as Intrusion Detection, which can be configured on the local IE menu of camera.
- Support people counting, volume of visitor flow can be kept and exported
- IR cut filter with auto switch
- Support Smart Defog
- Support EIS
- Up to 20 channels live view at the same time
- Auto-iris, electronic shutter, rotate mode for different surveillance environments
- Support local analog video output for adjustment and installation
- LOGO picture can be overlaid on video
- Other functions: IP address filtering, anonymous access, PTZ control, alarm, reset button, mirror, etc.

## Specification

Model	<b>HDS-EX3023IP-IC</b>
Parameter	2 Megapixel CMOS WDR ICR Network Box Camera
<b>Camera</b>	
Image Sensor	1/2.8" Progressive Scan CMOS
Min. Illumination	Color: 0.01 Lux @ (F1.2, AGC ON) B/W: 0.001 Lux @ (F1.2, AGC ON)
Shutter Speed	1 s to 1/100,000 s
Lens	2.7-12mm@F1.2 Angle of view: 97.2°-24.3°
Auto-iris	DC drive
Day & Night	IR cut filter with auto switch
Digital Noise Reduction	3D DNR
Wide Dynamic Range	120dB
Focus	ABF(auto back focus)
<b>Compression Standard</b>	
Video Compression	H.264/MPEG4/MJPEG
H.264 Type	Baseline Profile / Main Profile / High Profile
Video Bit Rate	32 Kbps - 16 Mbps
Audio Compression	G.711/G.722.1/G.726/MP2L2
Audio Bit Rate	64Kbps( G.711) / 16Kbps(G.722.1) / 16Kbps(G.726) / 32-128Kbps(MP2L2)
<b>Image</b>	
Max. Resolution	1920 × 1080
Frame Rate	50Hz: 25fps (1920 × 1080), 25fps (1280 × 720 ) 60Hz: 30fps (1920 × 1080), 30fps (1280 × 720 )
Third Stream	Independent with Main Stream and Sub Stream, up to 50Hz: 25fps(1920 × 1080) 60Hz: 30fps (1920 × 1080)
BLC	Support
Smart Defog	Support
EIS	Support
Image Setting	Rotate mode, Saturation, Brightness, Contrast adjustable by client software or web browser
Day/Night Switch	Auto/Schedule/Triggered by Alarm In
ROI	Up to 4 different areas configuration in all the three streams with adjustable

	6 levels. Automatically dynamic tracking with face detection can be configured.
Picture Overlay	LOGO picture can be overlaid on video with 128x128 24bit bmp format
<b>Network</b>	
Network Storage	NAS (Support NFS,SMB/CIFS)
Alarm Trigger	Intrusion detection, Defocus detection, Motion detection, Face detection, Dynamic analysis, Tampering alarm, Network disconnect, IP address conflict, Storage exception
Protocols	TCP /IP,ICMP,HTTP,HTTPS,FTP,DHCP,DNS,DDNS,RTP,R TSP,RTCP, PP PoE,NTP,UPnP,SMTP,SNMP,IGMP,802.1X,QoS,IPv6 ,Bonjour
Security	User Authentication, Watermark, IP address filtering, Anonymous access
Standard	ONVIF, PSIA, CGI, ISAPI
<b>Interface</b>	
Audio Input	1-ch 3.5 mm audio interface, Micin/Line in
Audio Output	1-ch 3.5 mm audio interface
Communication Interface	1 RJ45 10 M/100M Ethernet port, 1 RS-485 interface and 1 RS-232 interface
Alarm Input	1
Alarm Output	1
Video Output	1Vp-p composite output (75 Ω/BNC)
On-board Storage	Built-in Micro SD/SDHC/SDXC slot, up to 64 G B
Reset Button	Yes
<b>General</b>	
Operating Conditions	-40 °C - 60 °C (-40 °F - 140 °F) Humidity 95% or less (non-condensing)
Voltage	AC110V~AC240V, 50/60Hz AC24V, 50/60Hz
Current	≤500mA
Waterproof	IP68 (2m/2h)
Manufacturers Standard	EN60079-0:2009, EN60079-1:2007, EN60079-31: 2009 GB3836.1--2000, GB3836.2--2000, GB12476.1-2 000
<b>Explosion-proof Mark</b>	<b>II2G Ex d IIC T6,Ta:-40°C ≤ Ta ≤ +60°C ; II2D Ex t IIC T80°C Db.</b>
Cable Entries	2× G1/2" Explosion-proof cable entries, Dia. of inner hole Φ13
Wiper	Support
Dimension	160×200×405 mm
Weight	9 kg

**Dimensions**



## HDS-EX3023IP-IC



### Key Features

- Explosion-proof IP camera. Up to 2 megapixel (1920 × 1080) @ 30 fps resolution
- Standard video compression with high compression ratio
- Some specialized encoding functions are supported such as ROI (Region of Interest), SVC (Scalable Video Coding), etc.
- Progressive scan CMOS
- Support three streams, main stream and third stream can be up to 2MP, sub-stream for mobile surveillance
- Built-in Micro SD / SDHC / SDXC card slot, up to 64GB
- Support 3D DNR
- Support WDR
- Support ABF (auto back focus)
- Support Defocus Detection and alarm linkage
- Support smart face detection. People face can be detected and image encoding on face area can be automatically enhanced.
- Support Environmental Noise Filtering
- Support Audio Exception Detection, alarm will be triggered the sound intensity is over the previous threshold.
- Support Smart Video Analysis functions such as Intrusion Detection, which can be configured on the local IE menu of camera.
- Support people counting, volume of visitor flow can be kept and exported
- IR cut filter with auto switch
- Support Smart Defog
- Support EIS
- Up to 20 channels live view at the same time
- Auto-iris, electronic shutter, rotate mode for different surveillance environments
- Support local analog video output for adjustment and installation
- LOGO picture can be overlaid on video
- Other functions: IP address filtering, anonymous access, PTZ control, alarm, reset button, mirror, etc.

## Specification

Model	<b>HDS-EX3023IP-IC</b>
Parameter	2 Megapixel CMOS WDR ICR Network Box Camera
<b>Camera</b>	
Image Sensor	1/2.8" Progressive Scan CMOS
Min. Illumination	Color: 0.01 Lux @ (F1.2, AGC ON) B/W: 0.001 Lux @ (F1.2, AGC ON)
Shutter Speed	1 s to 1/100,000 s
Lens	2.7-12mm@F1.2 Angle of view: 97.2°-24.3°
Auto-iris	DC drive
Day & Night	IR cut filter with auto switch
Digital Noise Reduction	3D DNR
Wide Dynamic Range	120dB
Focus	ABF(auto back focus)
<b>Compression Standard</b>	
Video Compression	H.264/MPEG4/MJPEG
H.264 Type	Baseline Profile / Main Profile / High Profile
Video Bit Rate	32 Kbps - 16 Mbps
Audio Compression	G.711/G.722.1/G.726/MP2L2
Audio Bit Rate	64Kbps( G.711) / 16Kbps(G.722.1) / 16Kbps(G.726) / 32-128Kbps(MP2L2)
<b>Image</b>	
Max. Resolution	1920 × 1080
Frame Rate	50Hz: 25fps (1920 × 1080), 25fps (1280 × 720 ) 60Hz: 30fps (1920 × 1080), 30fps (1280 × 720 )
Third Stream	Independent with Main Stream and Sub Stream, up to 50Hz: 25fps(1920 × 1080) 60Hz: 30fps (1920 × 1080)
BLC	Support
Smart Defog	Support
EIS	Support
Image Setting	Rotate mode, Saturation, Brightness, Contrast adjustable by client software or web browser
Day/Night Switch	Auto/Schedule/Triggered by Alarm In
ROI	Up to 4 different areas configuration in all the three streams with adjustable

	6 levels. Automatically dynamic tracking with face detection can be configured.
Picture Overlay	LOGO picture can be overlaid on video with 128x128 24bit bmp format
<b>Network</b>	
Network Storage	NAS (Support NFS,SMB/CIFS)
Alarm Trigger	Intrusion detection, Defocus detection, Motion detection, Face detection, Dynamic analysis, Tampering alarm, Network disconnect, IP address conflict, Storage exception
Protocols	TCP /IP,ICMP,HTTP,HTTPS,FTP,DHCP,DNS,DDNS,RTP,R TSP,RTCP, PP PoE,NTP,UPnP,SMTP,SNMP,IGMP,802.1X,QoS,IPv6 ,Bonjour
Security	User Authentication, Watermark, IP address filtering, Anonymous access
Standard	ONVIF, PSIA, CGI, ISAPI
<b>Interface</b>	
Audio Input	1-ch 3.5 mm audio interface, Micin/Line in
Audio Output	1-ch 3.5 mm audio interface
Communication Interface	1 RJ45 10 M/100M Ethernet port, 1 RS-485 interface and 1 RS-232 interface
Alarm Input	1
Alarm Output	1
Video Output	1Vp-p composite output (75 Ω/BNC)
On-board Storage	Built-in Micro SD/SDHC/SDXC slot, up to 64 G B
Reset Button	Yes
<b>General</b>	
Operating Conditions	-40 °C - 60 °C (-40 °F - 140 °F) Humidity 95% or less (non-condensing)
Voltage	AC110V~AC240V, 50/60Hz AC24V, 50/60Hz
Current	≤500mA
Waterproof	IP68 (2m/2h)
Manufacturers Standard	EN60079-0:2009, EN60079-1:2007, EN60079-31: 2009 GB3836.1--2000, GB3836.2--2000, GB12476.1-2 000
Explosion-proof Mark	II2G Ex d IIC T6,Ta:-40°C ≤Ta≤ +60°C ; II2D Ex t IIIC T80°C Db.
Cable Entries	2× G1/2" Explosion-proof cable entries, Dia. of inner hole Φ13
Wiper	Support
Dimension	160×200×405 mm
Weight	9 kg

**Dimensions**

